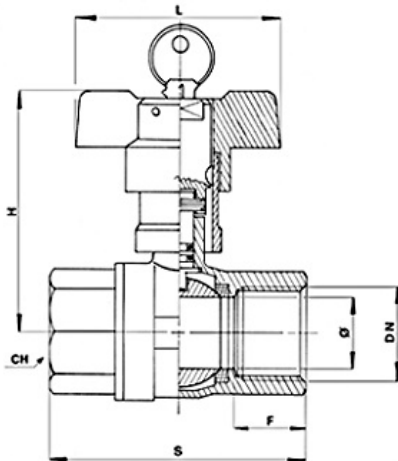




## RIV 7514

Ball valve F/F  
 with tamperproof key locking device  
 full bore  
 (EN 331 Mop 5-20)  
 aluminium butterfly handle

### Tech drawings and tables

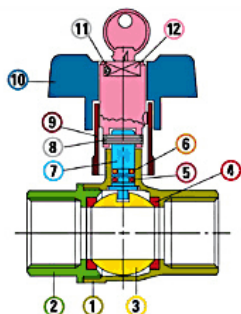


DN	Code	Ø	H	S	L	F	CHPN	KG	P/box	
1/2"	077514000004	15	74	59	70	17	25	5	0,44	5
3/4"	077514000005	20	80	69	70	18	31	5	0,54	5
1"	077514000007	25	83	83	70	22	38	5	0,80	5

### Advantages

## Technical data

Art. 7514



### Materials

1	Body	Brass	CuZn40Pb2	Nickel-plated
2	Body end	Brass	CuZn40Pb2	Nickel-plated
3	Ball	Brass	CuZn40Pb2	Chrome-plated
4	Seats	P.T.F.E.		
5	O-Ring	FKM		
6	O-Ring	NBR		
7	Stem	Brass	CuZn39Pb3	
8	Elastic pin	Steel		
9	Screwed ring	Brass	CuZn40Pb2	Nickel-plated
10	Butterfly handle	Aluminium	GD-AISI12Cu2Fe	Yellow
11	Elastic pin	Steel		
12	Locking device	Brass	CuZn39Pb3	

### Connections

F/F: ISO 7/1Rp (parallel) - M/F: male ISO 7/1R (tapered), female ISO 7/1Rp (parallel)

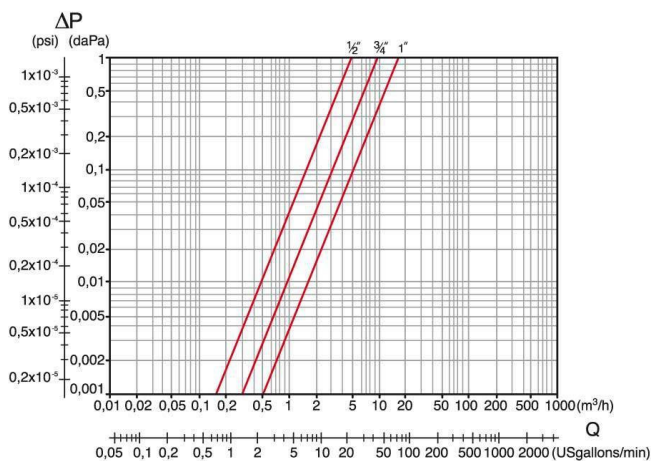
### Limit

-20°+70° (without liquid)

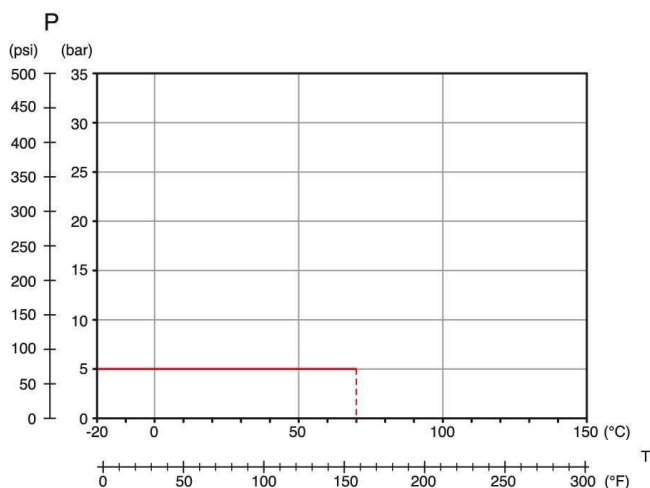
### Notes

The max.working pressure (PN) means at a room temperature of about 23°C.

## Pressure Loss Chart



## Temperature/Pressure



## Approvals

